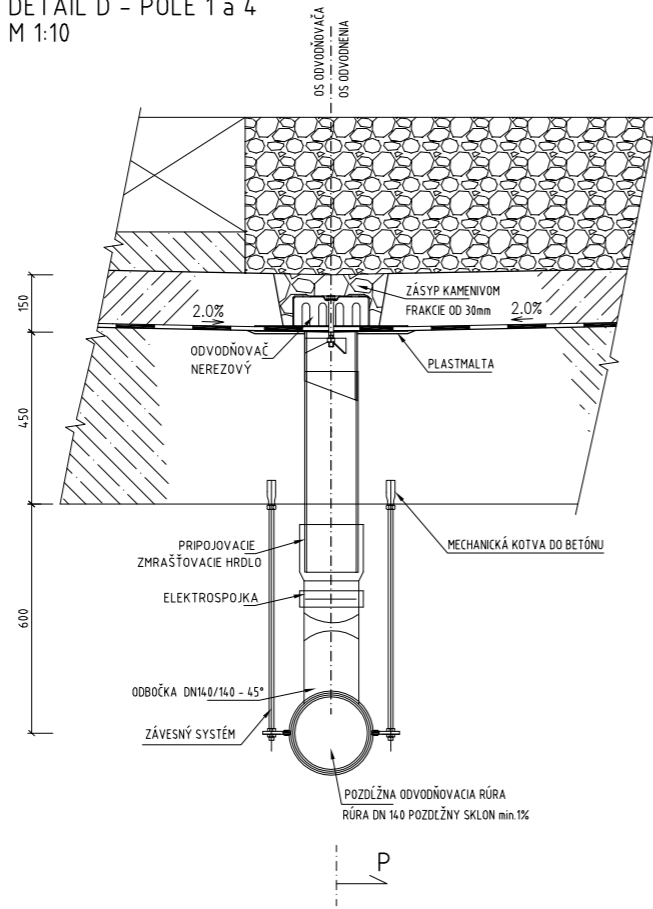
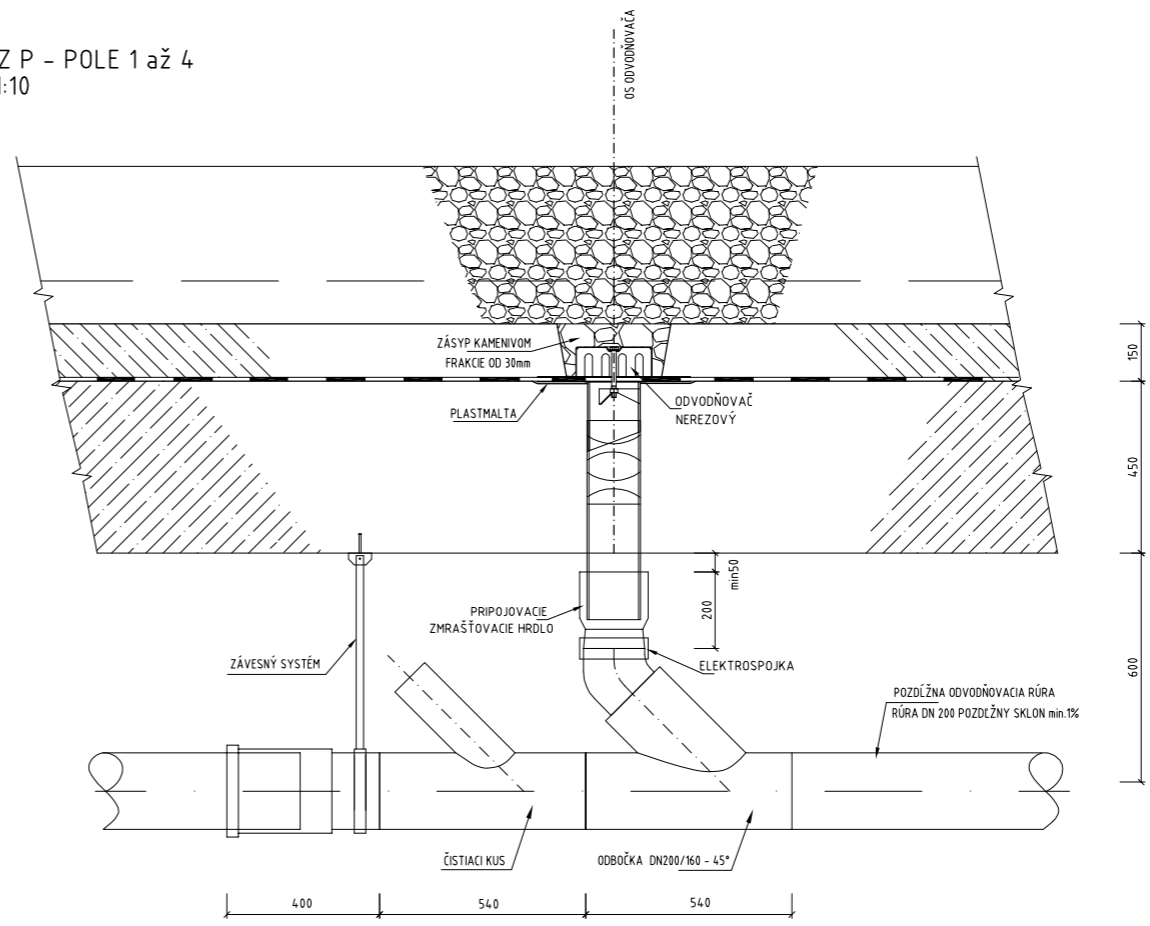


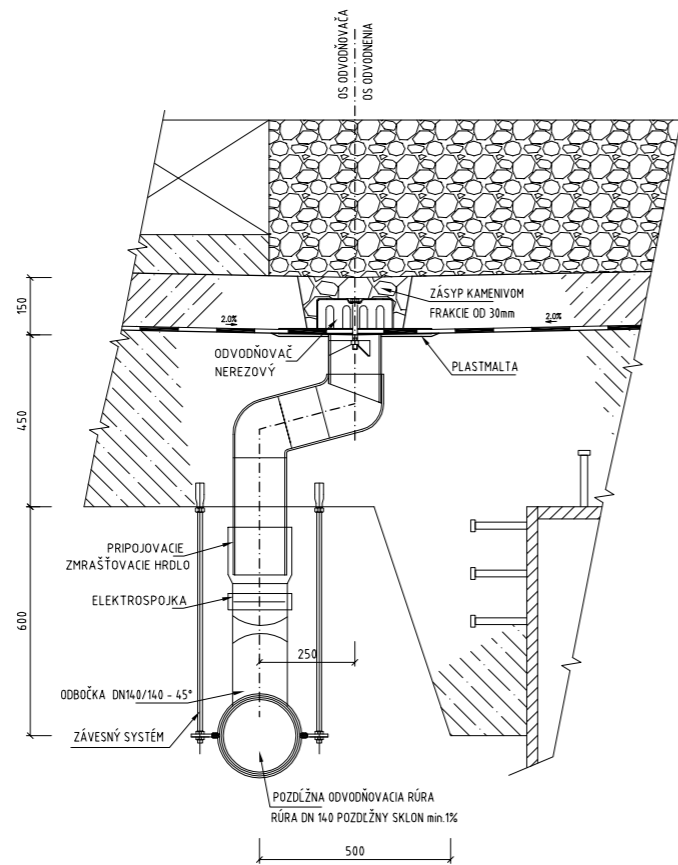
DETAIL D - POLE 1 a 4
M 1:10



REZ P - POLE 1 až 4
M 1:10



DETAIL N - POLE 2 a 3
M 1:10



DETAIL O - POLE 4
M 1:10

